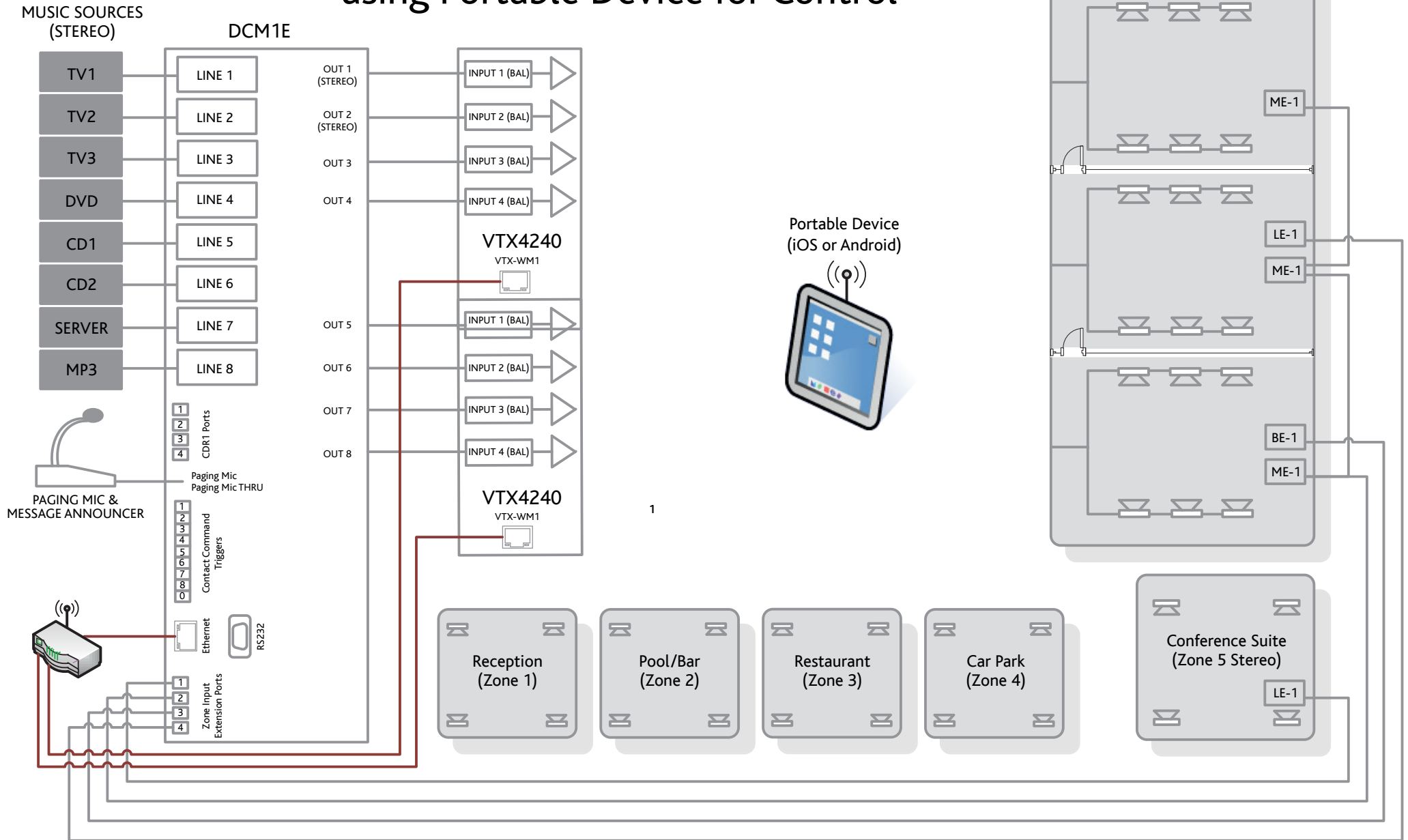


DCM1E Digitally Controlled Zoner using Portable Device for Control



Cloud

CLOUD ELECTRONICS LIMITED. SHEFFIELD, UK

CLOUD PRODUCTS

DCM1E VTX4240 PM8 ME-1 LE-1

APP NO. 038